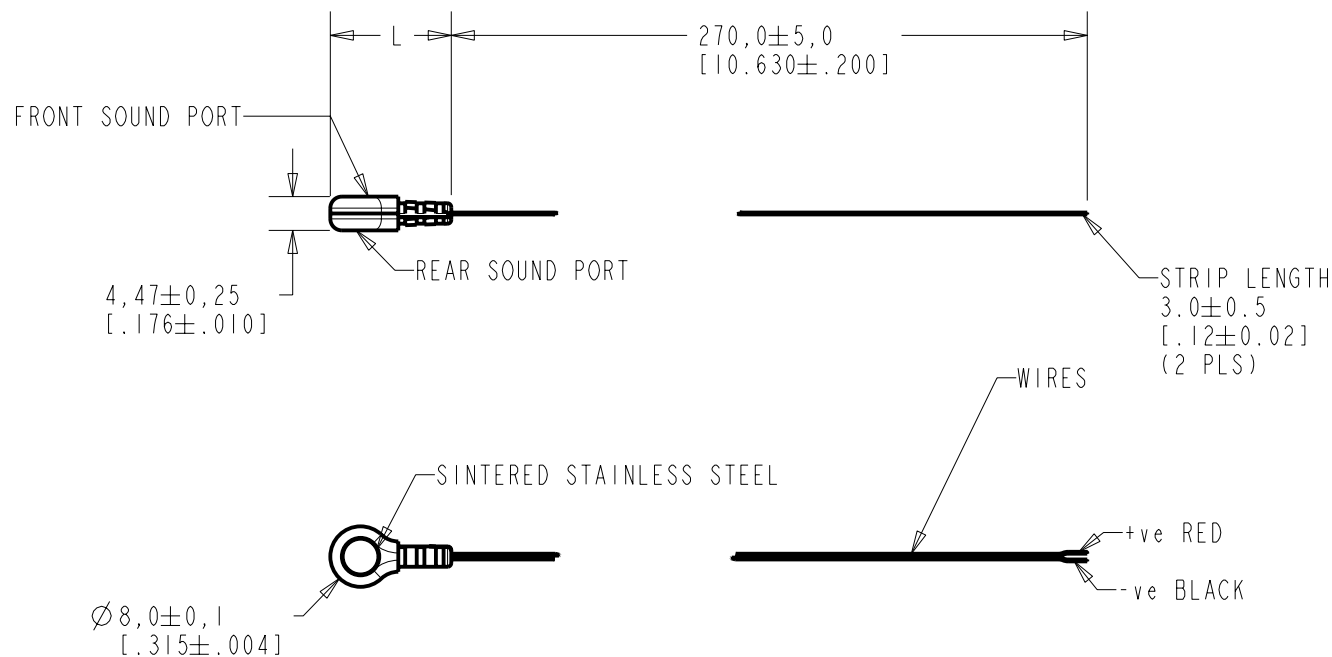


PNR-23868-000

SHT 1.1



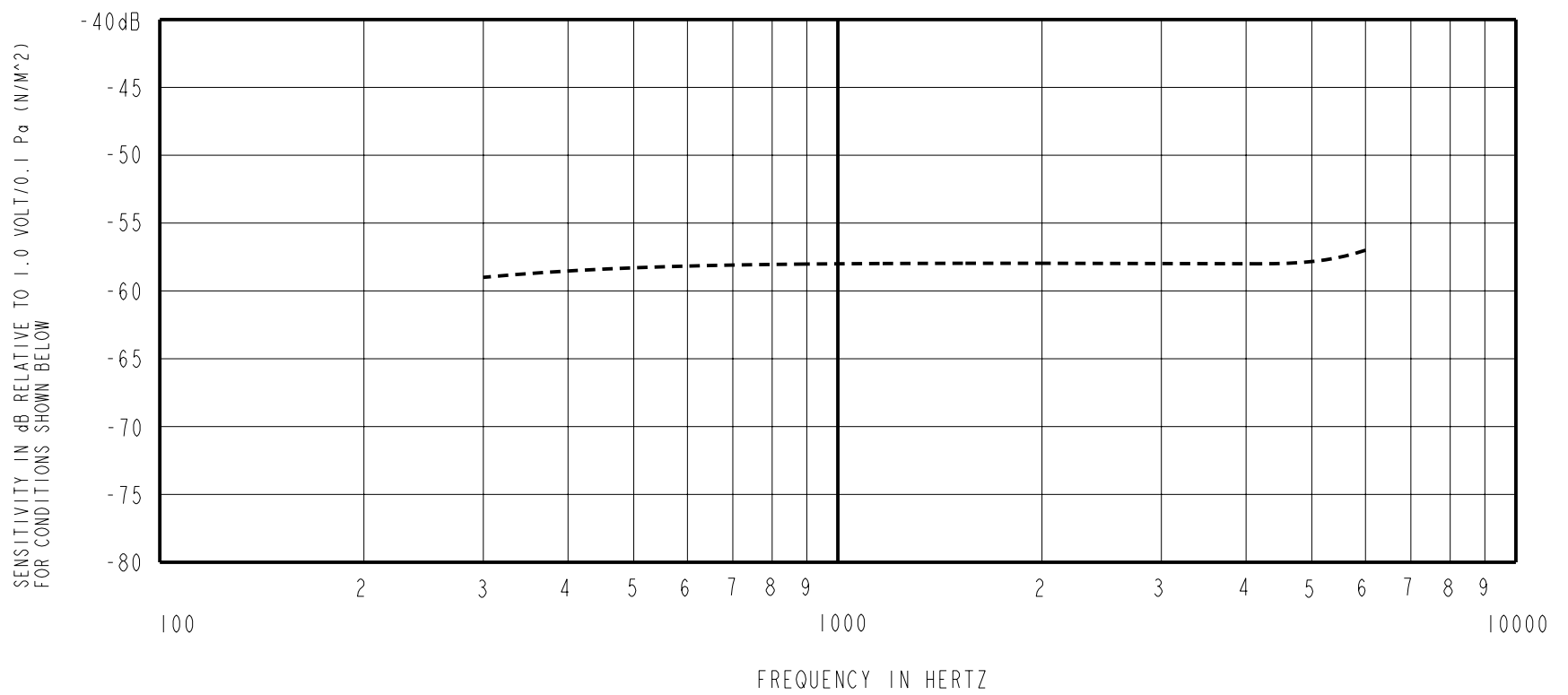
LENGTH	WIRE COLOR		WEIGHT GRAMS
	+ve	-ve	
L	OUTPUT	BLACK	13.1
16 [0.63]	RED	BLACK	

DIMENSIONS IN MILLIMETERS [INCHES]

Revision	C.O. #	Implementation Date	RELEASE LEVEL	REVISION
B	CI0106181	8-01-07	Released	B
A	MI0101431	4-3-07		

SCALE: 1:1		DR. BY: LSY	DATE: 4-3-07
DO NOT SCALE DRAWING			
TITLE: BOOM MICROPHONE	PNR-23868-000	APP. BY: GJP	DATE: 4-6-07
OUTLINE DRAWING		GJP	4-6-07

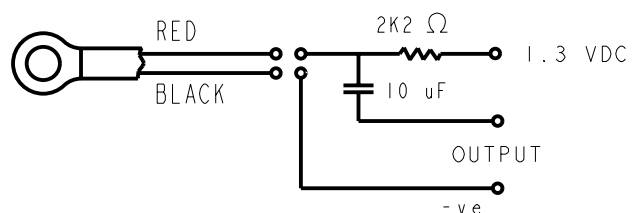
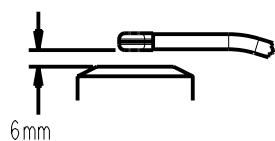
**KNOWLES ELECTRONICS**  
 ITASCA, ILLINOIS U.S.A.



NOTES:

- MICROPHONE TO BE FUNCTIONAL WITH 10 VDC SUPPLY.
- SENSITIVITY VALUES INDICATED ON THIS SPECIFICATION ARE VALID AT 50% HUMIDITY.
- SENSITIVITY

FREQUENCY	MIN	NOM	MAX
300	-65.0	-59.0	-57.0
1000	-62.0	-58.0	-56.0
4000	-62.0	-57.0	-54.0
- TEST CONDITIONS:  
HEAD OF BOOM EXPOSED TO 94 dB SPL SWEPT SOUND FIELD AT 6mm FROM VOICE APERTURE.  
ARTIFICIAL VOICE:  
B & K 4227 MOUTH SIMULATOR.
- FOR MICROPHONE CAPSULE SPEC. SEE NR-25994-C97 SHEET 2.1



LEAD IDENTIFICATION  
& TEST CIRCUIT

Revision	C.O. #	Implementation Date	RELEASE LEVEL	REVISION
B	C10106181	8-01-07	Released	B
A	M10101431	4-3-07		

**KNOWLES ELECTRONICS**  
ITASCA, ILLINOIS U.S.A.

WHEN TEST LIMITS ARE USED TO ESTABLISH INCOMING INSPECTION ACCEPTANCE/REJECTION CRITERIA, CORRELATION OF TEST EQUIPMENT WITH KNOWLES IS ALSO REQUIRED FOR ELIMINATION OF EQUIPMENT AND TEST METHOD VARIATION

TITLE: **BOOM MICROPHONE** PNR-23868-000  
PERFORMANCE SPECIFICATION SHT 2.1

DR. BY	DATE
LSY	4-3-07
CK. BY	DATE
GJP	4-6-07
APP. BY	DATE
GJP	4-6-07